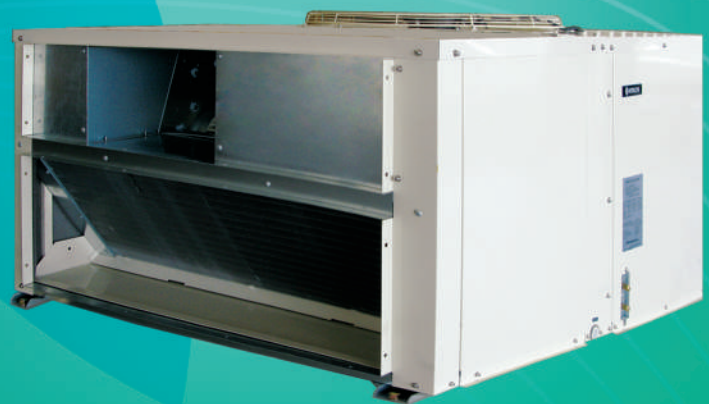


HITACHI



air



SELF-CONTAINED AIR CONDITIONER

Efficient and Reliable Cooling Solution



Built with Optimum Efficiency in Mind

- Condenser with super-slit fin heat exchanger performs efficiently, lowering operation cost.
- Evaporator with super-slit fin coils and inner groove tube provides higher cooling capacity while keeping a low noise profile.
- Insulated Indoor Compartment effectively eliminates heat loss.
- 2-3 compressors with 2-3 independent refrigeration cycles are equipped for balanced operation load.



WEATHER RESISTANCE

The unit's steel casing is glazed with a positive ion electrodeposition coating that effectively protects it from rust and corrosion caused by adverse weather conditions.



FAN MOTOR PROTECTION

Evaporator fan motors are protected with thermal overcurrent relay while condenser fan motors have an internal thermostat.

OTHER FEATURES:

- High temperature operation up to 43°C (109°F)
- Easy installation
- Pre-drilled duct flange
- Factory completed unit (system connection required)
- Easy maintenance with removable service panels



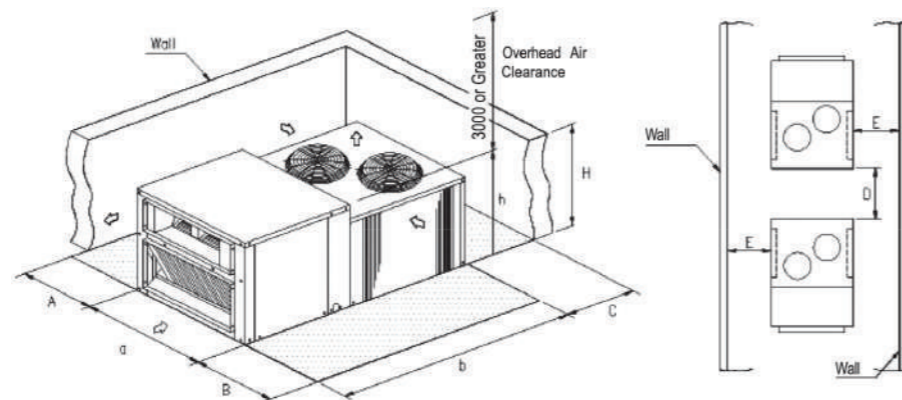
COMPRESSOR PROTECTION

To ensure day-to-day operations, each compressor is fitted with a high-pressure switch, an overcurrent relay, a crankcase heater, a discharge gas thermostat reverse protection relay and a cycling protection timer relay.



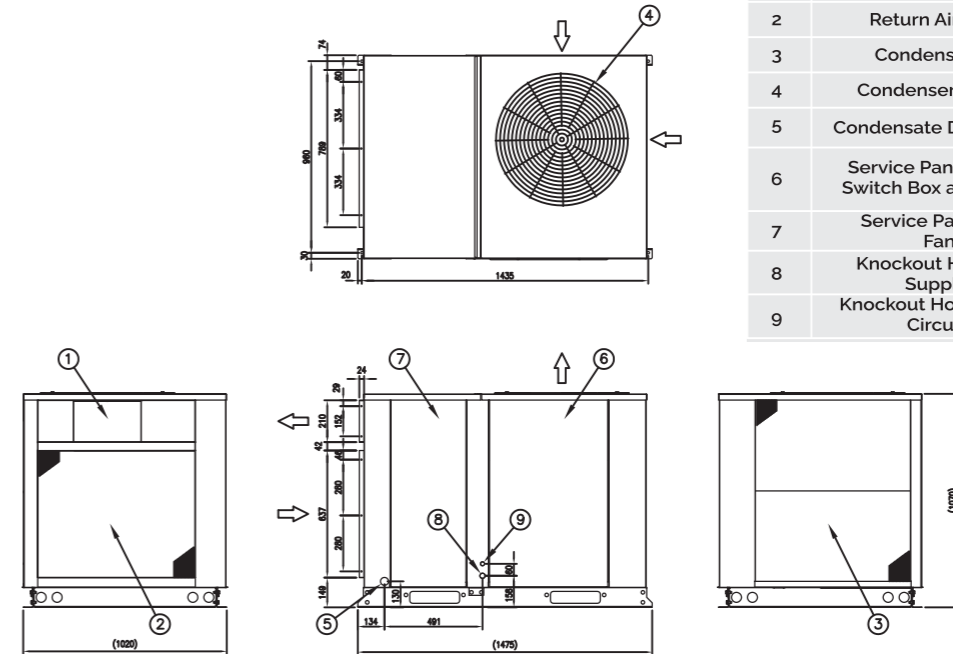
R410A has the chemical properties of being non-toxic, odorless, colorless and non-flammable so it does not damage the ozone layer. This is how Hitachi shows its genuine concern for the environment while catering to the needs of customers.

OPERATION SPACE



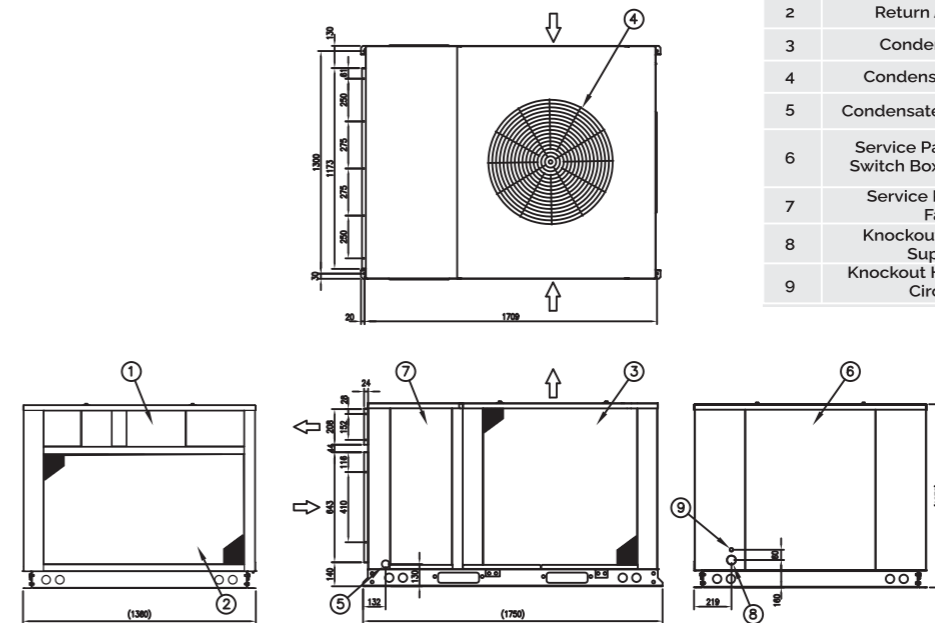
RUA-NP5ATS, RUA-NP8ATS

Mark	Name
1	Supply Air Connection
2	Return Air Connection
3	Condenser Air Intake
4	Condenser Air Discharge
5	Condensate Drain Connection
6	Service Panel for Magnetic Switch Box and Compressor
7	Service Panel for Indoor Fan Motor
8	Knockout Hole for Power Supply Wiring
9	Knockout Hole for Operation Circuit Wiring

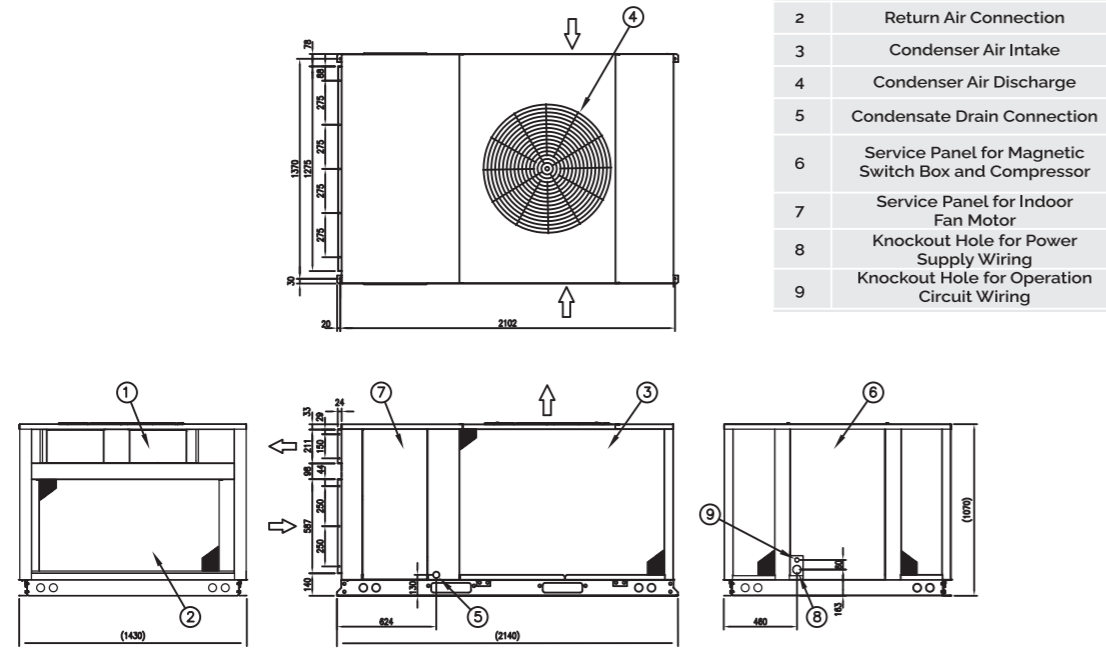


RUA-NP10ATS

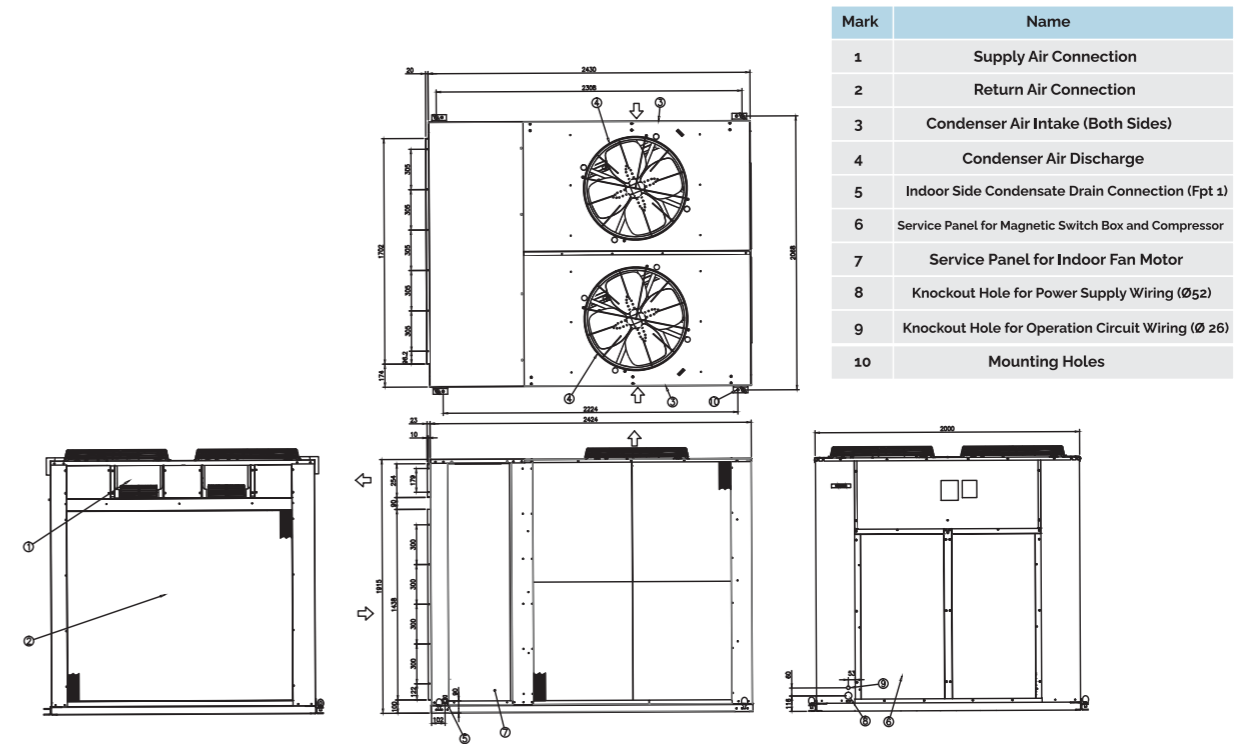
Mark	Name
1	Supply Air Connection
2	Return Air Connection
3	Condenser Air Intake
4	Condenser Air Discharge
5	Condensate Drain Connection
6	Service Panel for Magnetic Switch Box and Compressor
7	Service Panel for Indoor Fan Motor
8	Knockout Hole for Power Supply Wiring
9	Knockout Hole for Operation Circuit Wiring



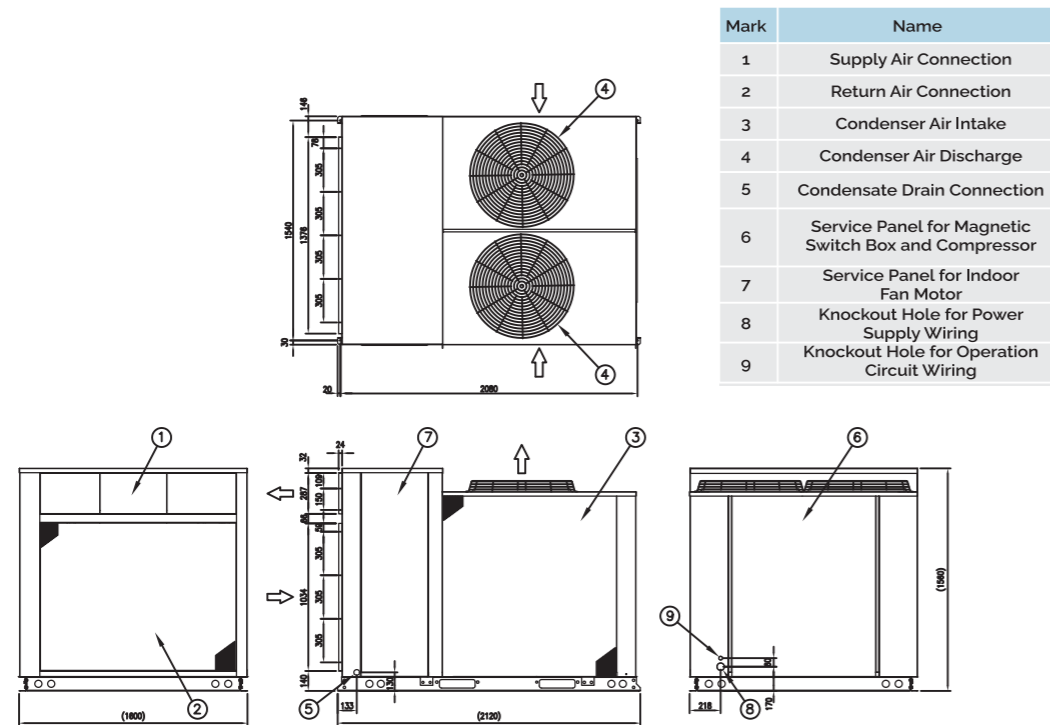
RUA-NP15ATS



RUA-NP30ATS



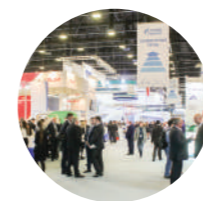
RUA-NP20ATS



IDEAL FOR:



Factories



Events Places



Grocery Stores



Gymnasiums



Warehouses



Malls

GENERAL SPECIFICATION DATA

Model			RUA-NP5ATS	RUA-NP8ATS	RUA-NP10ATS	RUA-NP15ATS	RUA-NP20ATS
** Nominal Cooling Capacity at 35°C Outdoor	kcal/h		13,000	20,700	25,900	35,100	51,400
	W		15,100	24,000	30,100	40,800	59,700
	Btu/h		51,700	82,300	103,000	139,500	204,300
Cabinet			Synthetic Resin Painted Galvanized Steel Plates				
Color			Beige				
Outer Dimension	Height	mm	1,070	1,070	1,070	1,070	1,560
		in	42	42	42	42	61
	Width	mm	1,020	1,020	1,360	1,430	1,600
		in	40	40	54	56	63
	Depth	mm	1,475	1,475	1,750	2,140	2,120
		in	58	58	69	84	83
Net Weight		kg	230	250	390	440	670
		lbs	506	550	858	968	1,474
Refrigerant			R410A				
Flow Control			Capillary Tube				
Compressor	Type		Hermetic Scroll				
	Model		E505DH	E808DH	E505DH	E808DH	E505DH + E808DH
	Quantity		1	1	2	2	1 + 2
Condenser	Type		Multi-Pass Cross Finned Tube				
	Fan		Propeller Fan				
	Motor	kW	0.40	0.40	0.40	0.40	0.40
		hp	1/2	1/2	1/2	1/2	1/2
	Quantity		1	1	1	1	2
	Evaporator	Type		Multi-Pass Cross Finned Tube			
Fan		Multi-Blade Centrifugal Fan (Double Section)					
Nominal Air Flow		m³/min	46	69	90	130	180
		m³/s	2,760	4,140	5,400	7,800	10,800
		L/s	2.8	4.1	5.4	7.8	10.8
Motor		kW	0.55	0.75	1.50	2.20	3.70
		hp	3/4	1	2	3	5
Quantity		1	1	1	1	1	
Connections	Condensate Drain	FPT	Female Piping Thread Screw				
	Size		3/4	3/4	3/4	3/4	3/4
	Quantity		1	1	1	1	1
Wiring Hole	Type		Knockout Hole				
	Main	mm	26	26	52	52	52
		in	1 1/32	1 1/32	2 1/16	2 1/16	2 1/16
	Control	mm	20	20	20	26	26
		in	1 1/4	1 1/4	1 1/4	1 1/32	1 1/32
Shipping Weight		kg	240	260	405	455	695
		lbs	528	572	891	1,001	1,529
Approximate Packing List	Height	mm	1,115	1,115	1,115	1,115	1,610
		in	44	44	44	44	63
	Width	mm	1,075	1,075	1,410	1,475	1,650
		in	42	42	56	58	65
	Depth	mm	1,500	1,500	1,775	2,165	2,145
		in	59	59	70	85	84
Measurements		m³	2	2	3	4	6

Notes:
 ** Nominal Cooling Capacity at 35°C Outdoor based on Trial Performance Testing Results as of October 2019
 RUA-NP15ATS Nominal Cooling Capacity only @ 90.5% of Rated Capacity as per Trial Performance Testing (Rated at 154,100 BTU/HR)

Model			RUA-NP30ATS	
Nominal Cooling Capacity at 35°C outdoor	kcal/h		78,100	
	W		90,800	
	Btu/h		310,100	
Cabinet			Synthetic Resin Painted on Galvanized Steel Plate	
Color			Beige	
Outer Dimension	Height	mm	1,910	
		in	75 3/16	
	Width	mm	2,000	
		in	78 3/4	
	Depth	mm	2,450	
		in	96 1/2	
Net Weight		kg	900	
		lbs	1,984	
Refrigerant			R410A	
Flow Control			Capillary Tube	
Compressor	Type		Hermetic Scroll	
	Model		E855DH	
	Quantity		4	
Condenser	Type		Multi-Pass Cross-Finned Tube	
	Fan		Propeller Fan	
	Air Flow	m³/min	480	
		Motor	kW	0.4
			hp	1/2
	Quantity		2	
Evaporator	Type		Multi-Pass Cross-Finned Tube	
	Fan		Multi-Blade Centrifugal Fan (Double Suction)	
	Nominal Air Flow	m³/min	260	
		m³/s	4.33	
		L/s	4,330	
	Motor	kW	5.5	
		hp	7.5	
Quantity		1		
Connections	Condensate Drain	FPT	Female Piping Thread Screw	
	Size		1	
	Quantity		1	
Wiring Hole	Type		Knockout Hole	
	Main	mm	52	
		in	2 1/16	
	Depth	mm	26.1	
in		1 1/32		
Shipping Weight		kg	1,020	
		lbs	2,249	
Approximate Packing List	Height	mm	2,170	
		in	85	
	Width	mm	2,200	
		in	87	
	Depth	mm	2,547	
		in	100	
Measurements		m³	12.2	

True
to Your Comfort ♡

MANILA OFFICE: TEL.: (02) 8362-4847 FAX: (02) 8362-1769 SERVICE: (02) 8362-3842
CEBU OFFICE: TEL.: (032) 232-6634 FAX: (032) 231-7533 SERVICE: (032) 232-8831
DAVAO OFFICE: TEL.: (082) 222-2200 FAX: (082) 222-3982



HITACHI
Air conditioning solutions